

Technical Information Sheet

Product Code: 8S400X

8" Side Port Pressure Vessel

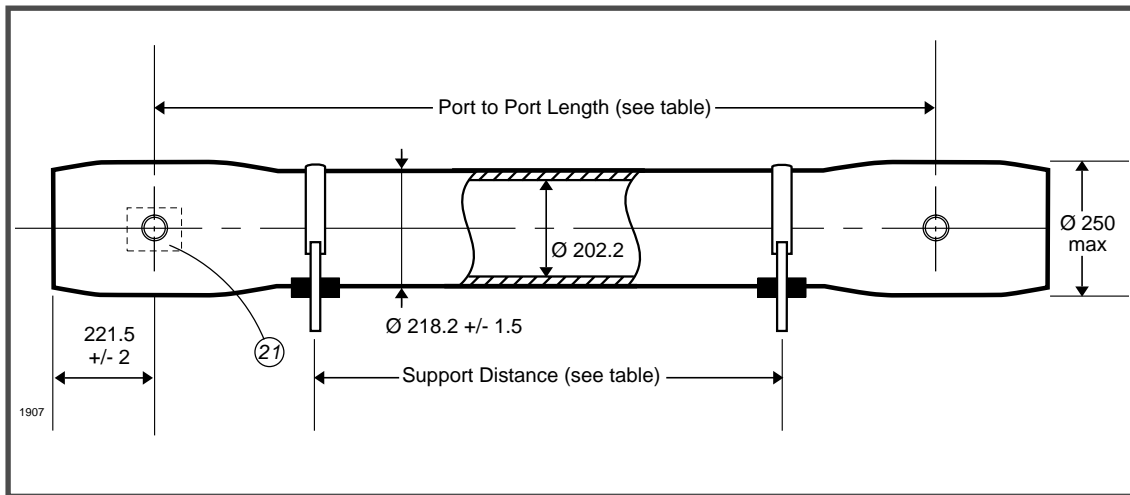
SIDE PORT

400 psi (27.6 bar)

ASME X

Working Pressure: **400 psi**
 Assembly Drawing: **1MNC 1907**

Working Temperature: **-7 to 45°C**
 Design Code: **ASME X**



Body of vessel is manufactured completely from glass reinforced epoxy resins.

Please advise membrane type and length when requesting further details.

Pressure vessels can be produced to cover all leading manufacturers membranes regardless of length.

Please adhere to recommended support positions, if in doubt contact Phoenix Vessels.

Feed and concentrate connections: 1.5" or 2.0" Victualic (For options see reverse)

Product connections: 1.0" BSP Parallel (Male) or 1.0" NPT (Female)

No of 40" Elements	Port to Port Length +/-7mm	Max support position	Min support position	Max Dry Weight
1	1143	740	500	49 kg
1.5	1651	1250	500	54 kg
2	2159	1750	500	59 kg
3	3175	2775	960	70 kg
4	4191	3190	1970	81 kg
4.5	4699	3375	2480	87 kg
5	5207	3560	2990	92 kg
6	6223	4020	4020	104 kg
7	7239	6170 c	5090 c	115 kg
7.5	7747	6220 c	5330 c	121 kg

All dimensions in mm
 All dimensions and weights are nominal unless stated otherwise.

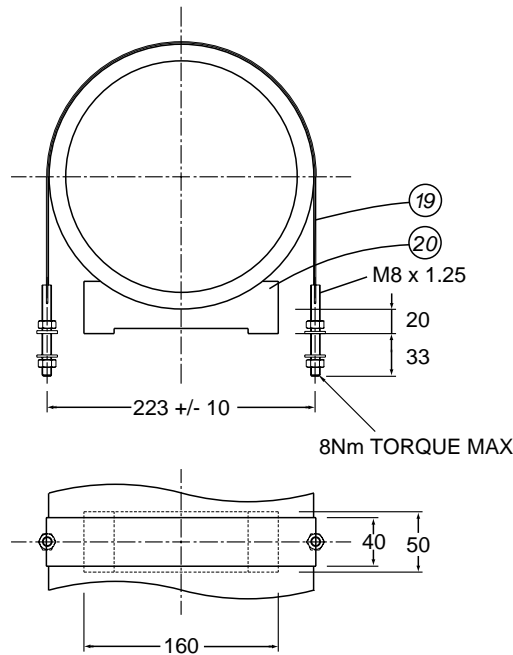
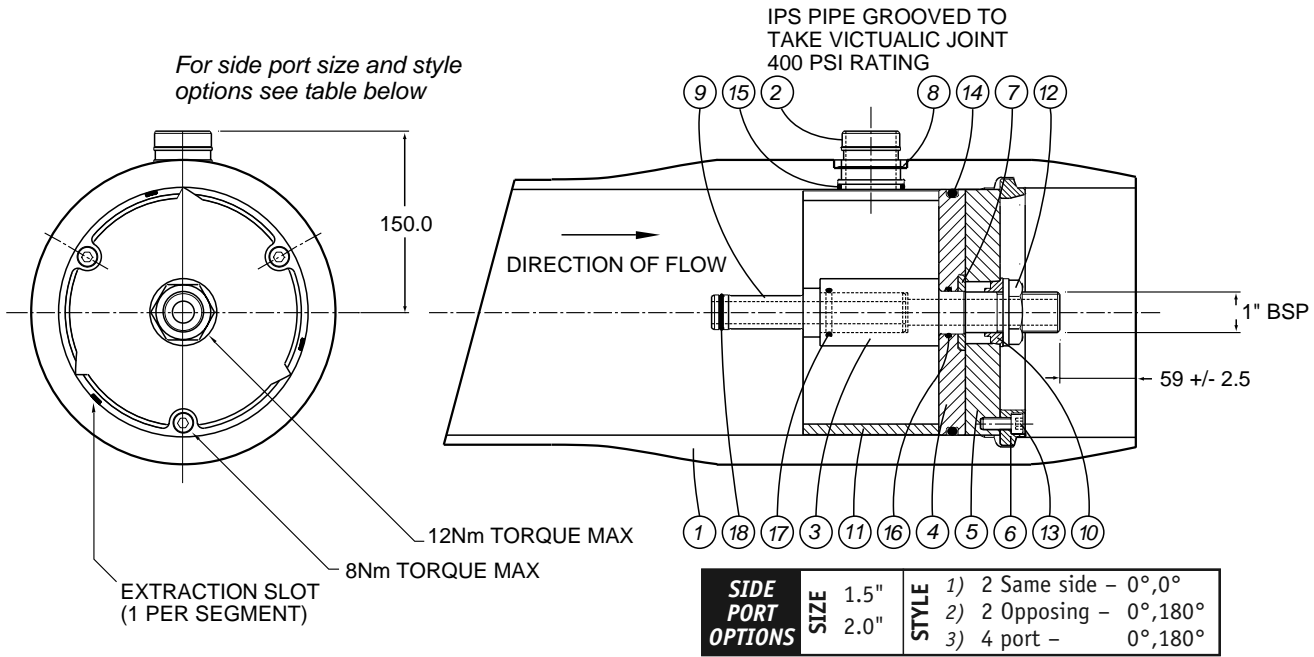
c = Central support required

8" SIDE Port Pressure Vessel

SIDE PORT

400 psi (27.6 bar)

ASME X



Tighten all bolts/nuts to 50% of the maximum torque figure.
DO NOT EXCEED THE MAXIMUM TORQUE.

For lubricants and general assembly refer to the User Guide.

Item	Description	Material	Part No	No. off
1	Vessel Body	Glass Fibre Epoxy Resin	PVL 80-04-1864	1
2	Feed/Concentrate Port	Stainless Steel 316L 1.5" Port Stainless Steel 316L 2.0" Port	PVL 80-04-1863 PVL 80-04-1990	2/4 2/4
3	Product Tube	UPVC	PVL 80-06-1945	2
4	End Plate	UPVC	PVL 80-12-1947	2
5	Backing Plate	Anodised Aluminium 6061-T6	PVL 80-06-1948	2
6	Retaining Ring	Stainless Steel 316	PVL 80-06-1469	2
7	Support Washer	Stainless Steel 316	PVL 80-12-1888	2
8	Spiroloc Circlip	Stainless Steel 302 1.5" Port Stainless Steel 302 2.0" Port	PVL 80-12-1950 PVL 80-12-2029	2/4 2/4
9	Adaptor	UPVC	To suit membrane	2
10	Anti-rotation Collet	ABS	PVL 80-12-1892	2
11	Thrust Ring	MDPE or UPVC	To suit membrane	1
12	1" BSP Backnut	UPVC	PVL 80-10-1179	2
13	Cap Head Screw	Aluminium	PVL 80-10-1520	6
14	'O' Seal Endplate	Nitrile WRC Listed	Size BS882	2
15	'O' Seal Feed Port	Nitrile WRC Listed 1.5" Port Nitrile WRC Listed 2.0" Port	Size BS225 Size BS229	2/4 2/4
16	'O' Seal Prod/Endplate	Nitrile WRC Listed	Size BS220	2
17	'O' Seal Prod/Adaptor	Nitrile WRC Listed	Size BS219	2
18	'O' Seal Adaptor	Nitrile WRC Listed	To suit membrane	2
19	Strap	Stainless Steel/Neoprene	PVL 80-10-1836	2/3
20	Saddle	Urethane	PVL 80-10-1075	2/3
21	Nameplate	Aluminium or Vinyl		1

The company reserves the right to alter specifications without prior notice.